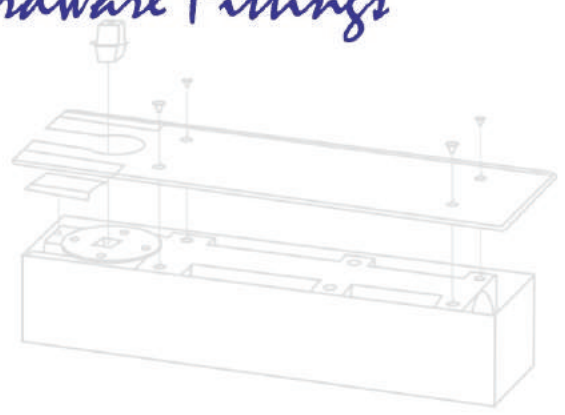
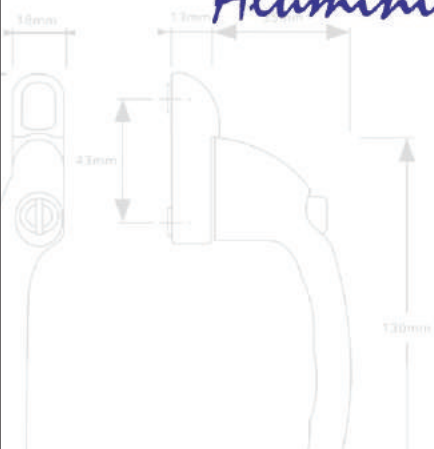


ARIESTM
@

An ISO 9001 : 2008 Certified Company

Aluminium Window and Hardware Fittings





PROFILE

we are renowned aluminium wire mesh importer and supplier based out in mumbai having a full fledged warehouse and manufacturing facility.

Our products are acclaimed across the markets for the superior quality, robust construction and high tensile strength. In continuation with same philosophy and ethos we bring to you range of Aluminium and UPVC hardware products. These products are obtained from the trusted and reliable vendors, who make sure to manufacture these products by making use of the high grade machines and latest technological equipment to ensure the quality-assured productivity. Our vendors are well-versed with the current market demands and trends, thus they make sure to manufacture these products in accordance with the clients' requirements. Further, we have a team of quality controllers, which check each and every detail before the delivery of these products. We also own a spacious warehousing unit to store our products in a well organised manner. These warehouses are supervised by a group of experts who ensure the safety and security of our products. Our professionals have an in-depth knowledge about their area of work, which helps them top perform in a meticulous and streamlined manner. We believe in delivering a peerless range of products at our customers' end as per the details specifications.

with persistent efforts we have carved a niche in the market as a reliable and reputed supplier of wire mesh and other hardware products that are trendy , affordable and of high quality.

we look forward working with you!

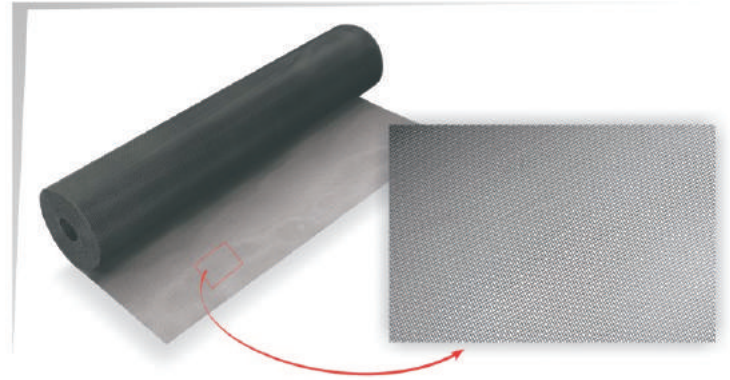
Index

1	Window insect screen	2 - 7
2	Friction Stay Hinges & Wind Breaking Arm	8 - 11
3	Aluminium / UPVC Window handles	13 - 18
4	Floor spring hinges	19 - 21
5	Glass Door Range	22 - 28
6	Telescopic channels	29
7	UPVC Roller	30 - 34
8	System window accessories	35 - 36



Window insect screen

Aluminium insect screen



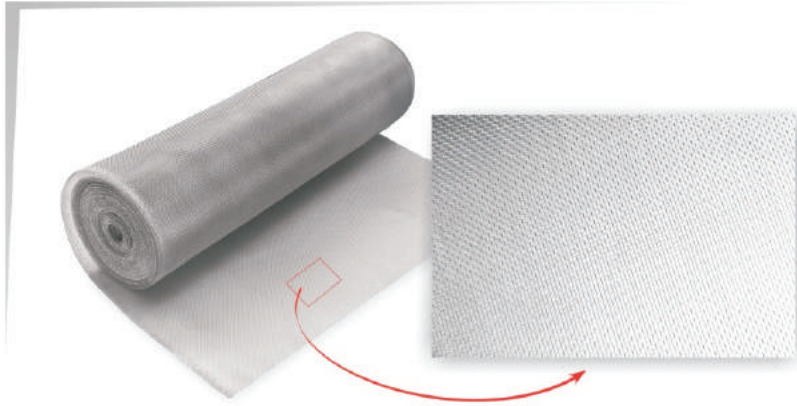
As world-class high precision fabrics, our @ARIES aluminum screen is the first choice by windows and door manufactures and consumers for mosquito screens. We manufacture our screen using the latest German technological machines.

in accordance with international standard and specification of aluminum window screen, no rust, no fade, good toughness, high strength, dimensional stability without distortion, good corrosion resistance, widely used in windows and door for mosquito protection. This product can be done with variety colors and other surface treatment. We offer a variety of common standard and in line with the width of the doors and windows.

Specifications:	
mesh count	14 x 14, 18 x 16
Material	aluminum alloy grade
Diameter	0.21 mm, 0.25 mm 0.38mm, 0.45mm
Color	SS, bright/natural, black powder coated, black charcoal, ivory powder coated
Sizes in ft.	2, 2.5, 3, 3.25, 3.5, 3.75, 4, 4.5, 5, 6, 7
Length	30 meter, 15 meter (as per order)
Packaging	one roll one carton with polybag

Window insect screen

Stainless Steel 304 grade insect screen



our @ARIES stainless steel insect screening is produced using the latest technology, It is tough, precision made insect screen manufactured using international standard and specifications. Our spray process assures dimensional stability, adds strength, helps reduce glare, gives uniform finish with no streaks of oil spots and adds additional protection against corrosion.

Specifications:	
mesh count	18 x 32, 16 x 30, 18 x 16
Material	Stainless steel 304 grade
Diameter	0.285, 0.27, 0.25
Color	Natural and black powder coated
Sizes in ft.	2, 2.5, 3, 3.5, 4, 5
Length	30 meter, 15 meter (as per order)
Packaging	One roll in one woven bag or box with polybag

Window insect screen



Fiber Glass Mesh



@ARIES Fiberglass window screen

@ARIES Fiberglass window screen is made with textile glass fibers using PVC resin monofilament technology and coated with vinyl resin to integrate the excellent properties of two kinds of objects, then by thread spinning, coating, weaving, heat setting, and then forming the mesh. It is currently the worlds most popular anti mosquito net.

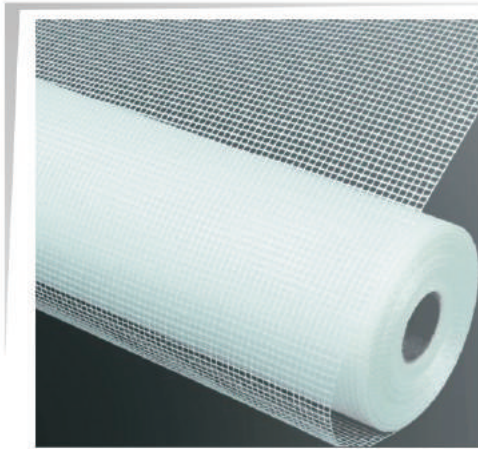
Features:

anti ageing, cold resistance, heat resistance, flame retardant, antistatic, anti ultraviolet, tensile strength, long service life.

Usage:

used in high tech office and residential buildings, livestock farm, orchard etc. it is mainly used for insect protection.

Specifications:	
mesh count	18 x 16
Material	Fiberglass
Color	black, ivory, grey, white, brown, green etc.
Sizes in ft.	3, 4, 5
Length	30 meter
Weight:	100gsm - 120gsm
Packaging	10 rolls in a woven bag



Alkali resistant fiberglass mesh (Plaster mesh)

This mesh is mainly alkali resistant mesh or E-glass fabric, then coated by alkaline resistant latex. It is an ideal engineering material in construction mainly used to reinforce cement,stonewall, gypsum and so on. Due to its special nature of the material it is sturdier than other common cloth. Usage: widely used in cement,plastic, asphalt, gypsum, marble mosaic roof interior and exterior wall system and other industrial application.

Specifications:	
mesh count	4 x 4mm, 5 x 5mm etc.
Material	Fiberglass
Color	white, orange, blue etc.
Sizes in ft.	2 inch, 4 inch, 6 inch and 1 meter.
Length	50 meter
Weight:	80 - 160 gsm
Packaging	as per requirement

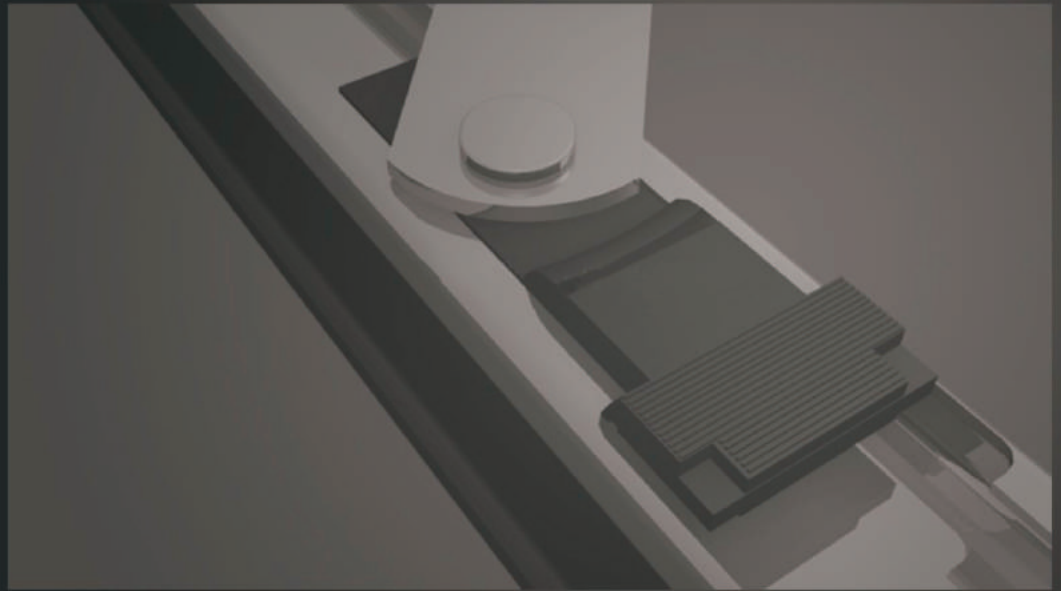


Self adhesive fiberglass mesh tape

the glass fiber self adhesive tape is glass fiber mesh cloth as the base material, compounded by the adhesive emulsion. Its self-adhesive is superior and the space stability is strong. It is an ideal material to prevent the wall and ceiling cracks in construction.

Usage - repair for dry wall joint plaster board and repair cracks and other damage in outer wall surfaces, it is and ideal and necessary material for inside wall repairing and decoration of modern buildings.

Specifications:	
mesh count	9x9, 8x8 etc.
Material	Fiberglass
Color	white
Sizes in ft.	2inch, 4inch, 6 inch.
Length	50 meter
Weight:	65 - 90 gsm
Packaging	each roll is PVC shrink packaging (as per requirement)

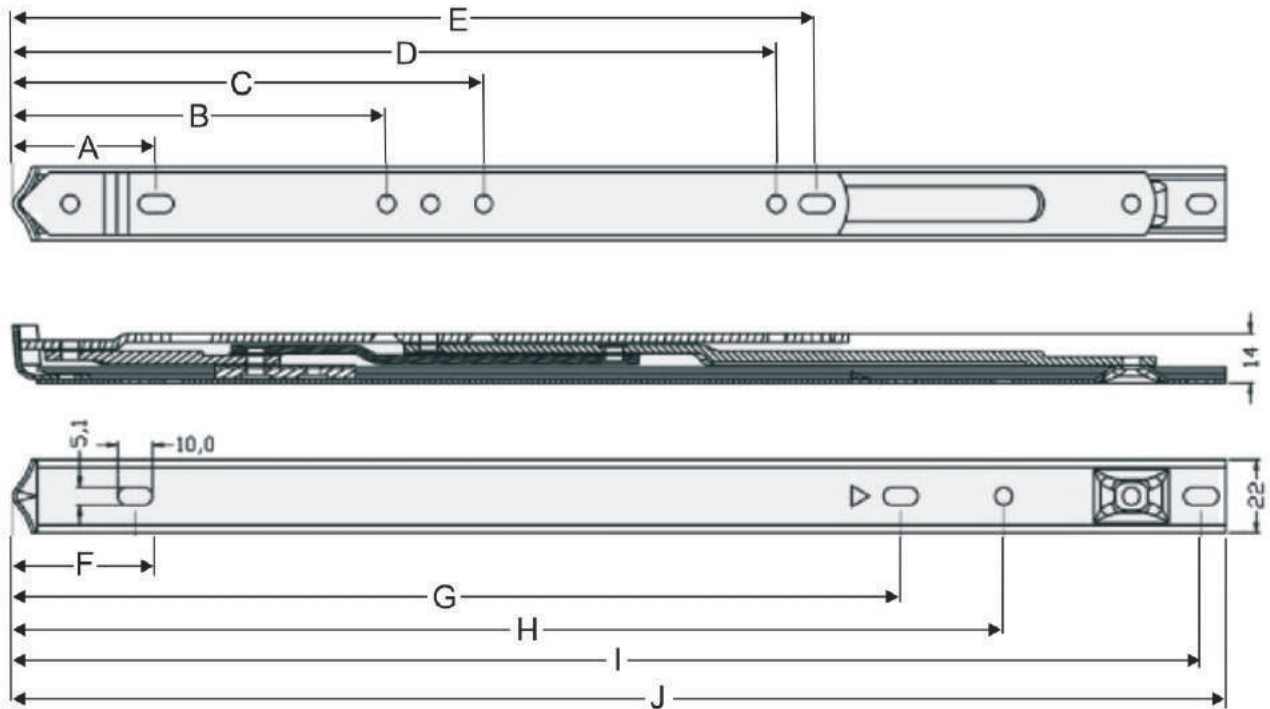




@ARIES friction stay provides quality, smooth operation, Reliability and strength whilst offering excellent value-for-money. Our Ideal @ARIES friction stay offers improved security and weather sealing through the use of nylon, reduced friction, end cap and has been designed to offer smooth closure and high performance for window applications of all sizes. Our @ARIES friction stay uses Stainless Steel 202 grade and we can also provide Stainless Steel 304 grade and Stainless Steel 316 grade.

Friction Stay	Application	Lengh (Inch)	Max Vent Height (mm)	Max Vent Width (mm)	Max Vent Weight (kg)	Opening Angle
Top Hung	Timber / Aluminium / U PVC Window	8	450	1200	18	64
Top Hung	Timber / Aluminium / U PVC Window	10	550	1200	22	90
Top Hung	Timber / Aluminium / U PVC Window	12	650	1200	28	90
Top Hung	Timber / Aluminium / U PVC Window	14	750	1200	35	90
Top Hung	Timber / Aluminium / U PVC Window	16	900	1200	50	90
Top Hung	Timber / Aluminium / U PVC Window	18	1000	1200	55	90
Top Hung	Timber / Aluminium / U PVC Window	20	1200	1200	60	50
Top Hung	Timber / Aluminium / U PVC Window	24	1600	1200	85	50
Side Hung	Timber / Aluminium / U PVC Window	10	550	1200	28	88
Side Hung	Timber / Aluminium / U PVC Window	12	650	1200	40	90
Side Hung	Timber / Aluminium / U PVC Window	14	700	1200	45	90
Side Hung	Timber / Aluminium / U PVC Window	16	875	1200	50	90
Side Hung	Timber / Aluminium / U PVC Window	18	950	1200	57	90

Friction Stay Hinges



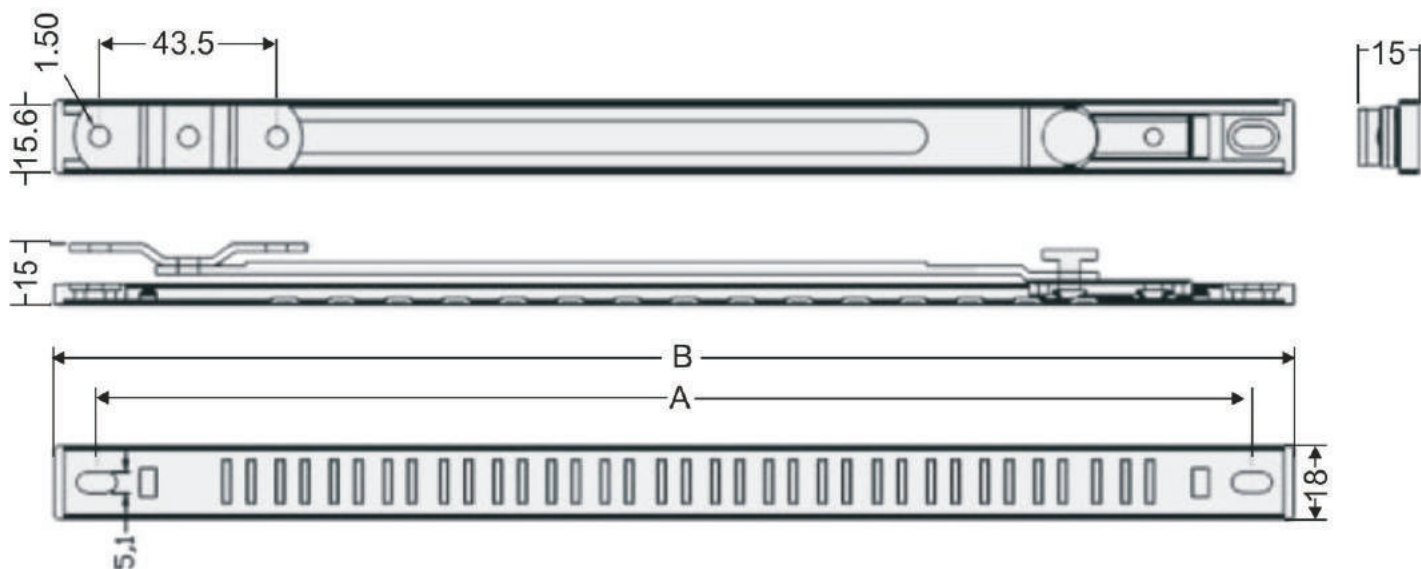
Size : 8 | 10 | 12 | 14 | 16 | 18 | 20 | 22 | 24

Packing : 50Pair/Box
(SIZE: 8, 10, 12, 14, 16)

Packing : 25Pair/Box
(SIZE: 18, 20, 24)

CODE	A	B	C	D	E	F	G	H	I	J	K
8	41	141.5	156	31	-	-	155.5	200	207	-	-
10	41	174	185.5	40	-	-	214.5	252	259	-	-
12	41	185.5	197	34.5	45.5	-	227.5	290	297	-	-
14	41	217.5	229	35	46	254	283.5	340	347	340	348
16	41	235.5	247	39.5	50.5	281	310	396	403	396	404
18	41	108	146	246.5	258	42	-	247	337.5	449	457
20	41	55	166.5	280.5	292	42	-	273	409	495	504
22	41	55	194	305.5	317	42	-	304	458	544.5	555
24	41	55	231	365.5	378	42	-	320.1	513	600	609

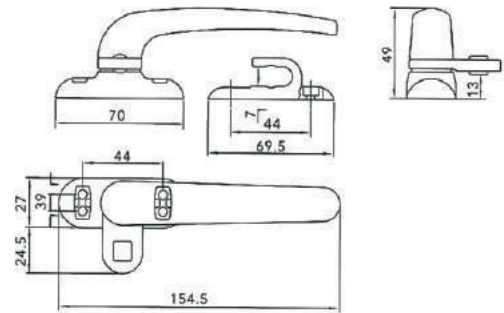
Wind Breaking Arm



Size : 10 | 12
 Packing : 50Pair/Box

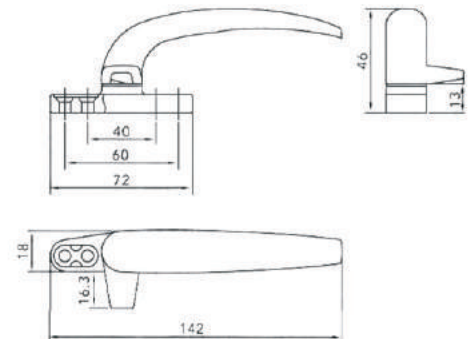
SR. NO.	CODE	A	B
1	8	187	208
2	10	236	257
3	12	283	304
4	14	324	345
5	16	383	404
6	18	434	455





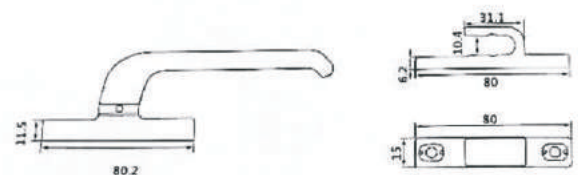
ARH 01 SINGLE POINT HANDLE

packing : 100pcs/Box
available in Black, White



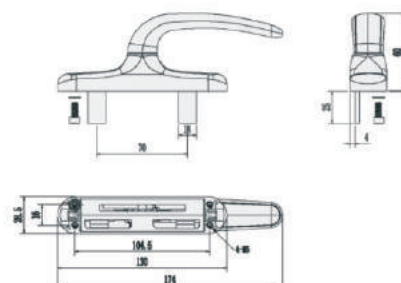
ARH 04 SINGLE POINT HANDLE

packing : 100pcs/Box
available in Black, White,

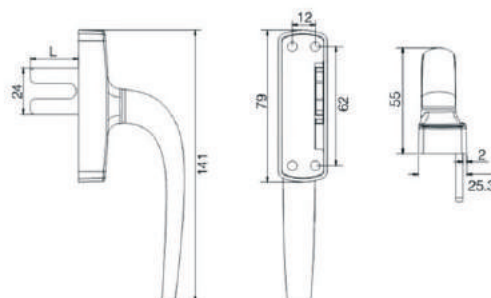


ARH 05 SINGLE POINT HANDLE

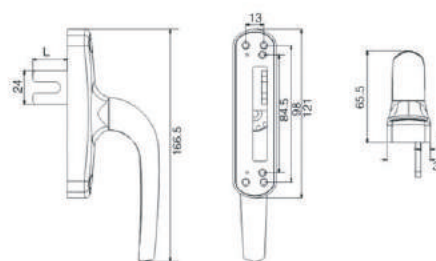
packing : 100pcs/Box
available in Black, White



ARH 06
Two point handle
 packing : 100pcs/Box
 available in Black, White



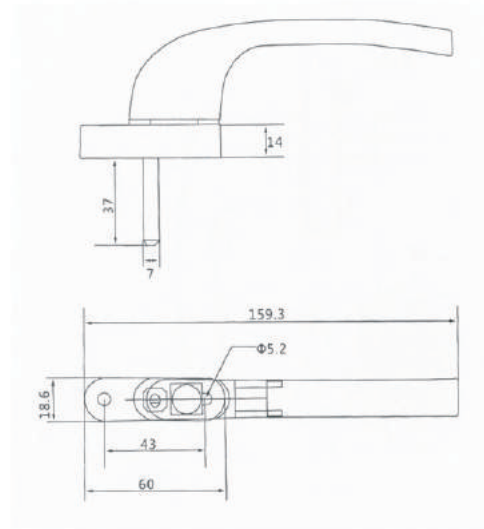
ARH 07
Multi point handle
 packing : 100pcs/Box
 available in Black, White



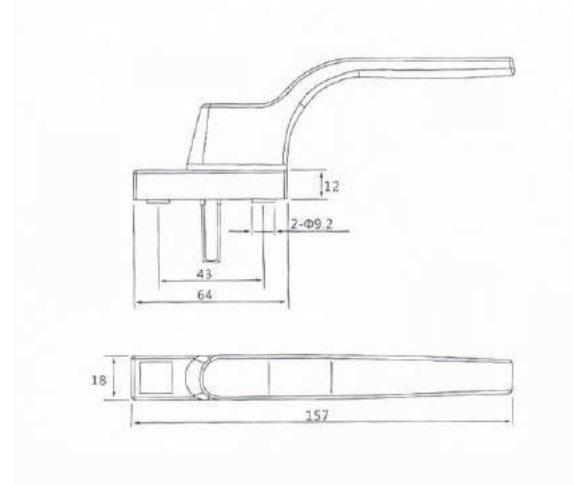
ARH 08
Multi point handle
 packing : 100pcs/Box
 available in Black, White



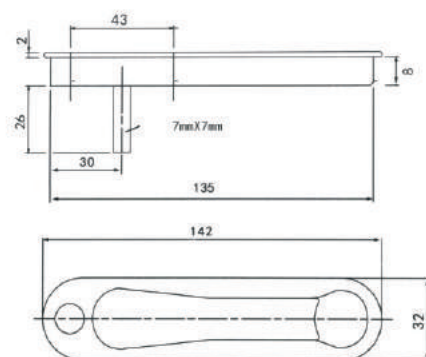
ARH 09
Casement Handle
 packing : 100pcs/Box
 available in Black, White

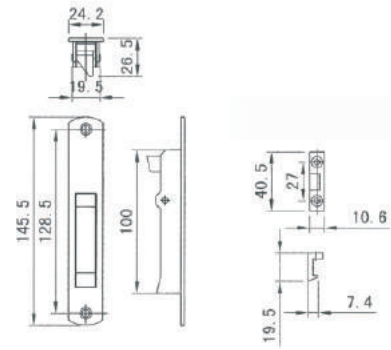


ARH 10
Casement Handle
 packing : 100pcs/Box
 available in Black, White

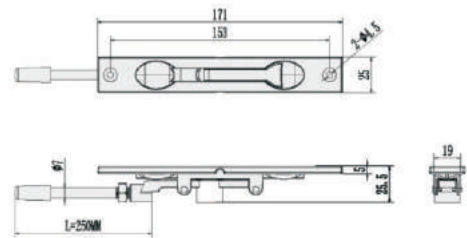


ARH 11
Pop up Handle
 packing : 100pcs/Box
 available in Black, White

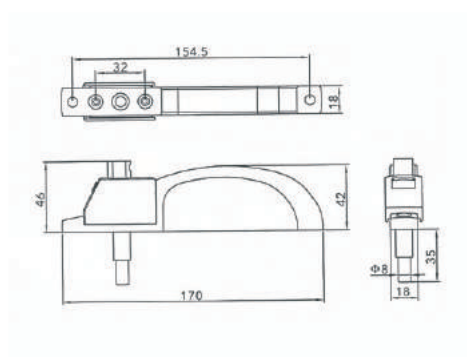




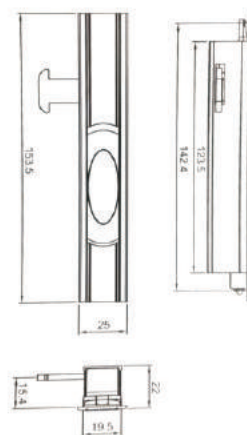
ARH 12
Touch Lock with Hook
 packing : 100pcs/Box
 available in Black, White



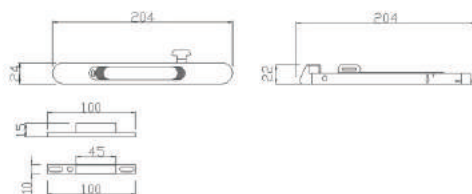
ARH 13
Flush Tower Bolt
 packing : 100pcs/Box
 available in Black, White, Silver



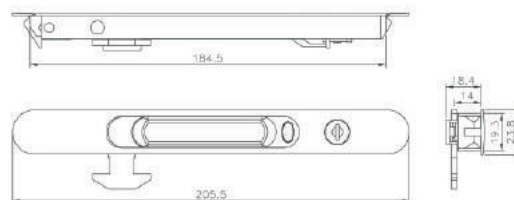
ARH 14
Central Push Handle
 packing : 100pcs/Box
 available in Black, White



ARH 15
Push Lock
available in Black, White



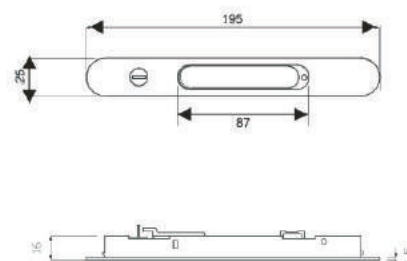
ARH 16
Aries King
packing : 70pcs/Box
available in Black, White and
Champagne Gold



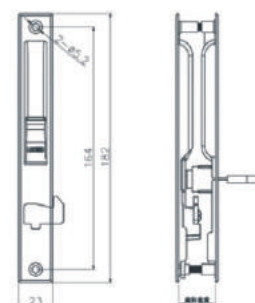
ARH 17A
Aries Key Lock
packing : 100pcs/Box
available in Black, White



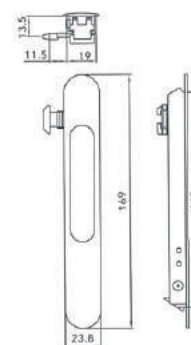
ARH 17 B
Aries Key Lock
packing : 100pcs/Box
available in Black, White



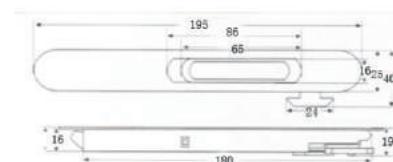
ARH 18
Double/Hard Lock
packing : 100pcs/Box
available in Black, White

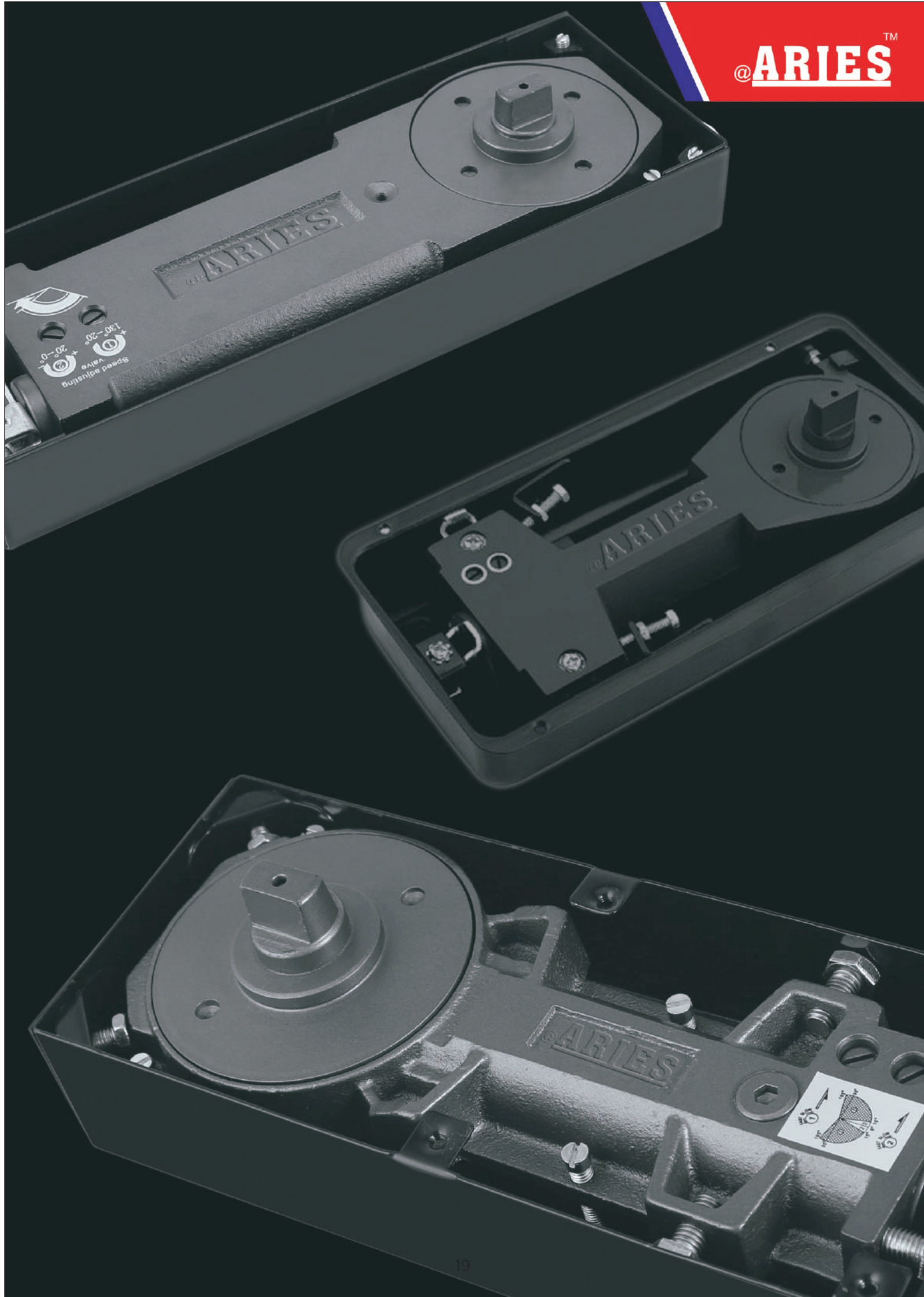


ARH 19
Concealed Lock
packing : 100pcs/Box
available in Black, White and
Champagne Gold



ARH 20
Dual Lock
packing : 100pcs/Box
available in Black, White







Suggestions on floor spring selection:

- 1) Selection of floor spring models depends on glass door weight
- 2) Calculation of glass weight, according to national standard, 1mm thick common and toughened glass is 2.5kg per sqm. As to 12mm thick, 2.3m high and 1m wide glass door commonly used in the country at present, the weight shall be $2.3 \times 1 \times 12 \times 2.5 = 69\text{kg}$
- 3) The weight of the entire door can be done by adding up the weight of all accessories and the weight of the glass
- 4) If heavy-duty floor spring is chosen for lightweight glass door, the cost will increase and you can obtain good opening effect because it is heavy duty.
- 5) If floor spring with inadequate weight bearing is chosen to reduce project cost, it will directly influence the service life of the floor spring
- 6) In cold area, floor spring with anti icing hydraulic oil injected should be chosen so as to prevent malfunction of floor spring at very low temperature.

Specifications:	
Max door weight	90 kg, 120 kg
Main Function	double way 116 degree opening function and 90 degree accurate stop
Usage	<ul style="list-style-type: none"> ■ mezzanine floor, hotels, hospitals, schools, office buildings, industrial buildings and other commercial buildings ■ wooden, aluminium, metal and tempered glass doors ■ right handed and left handed, single and double action doors

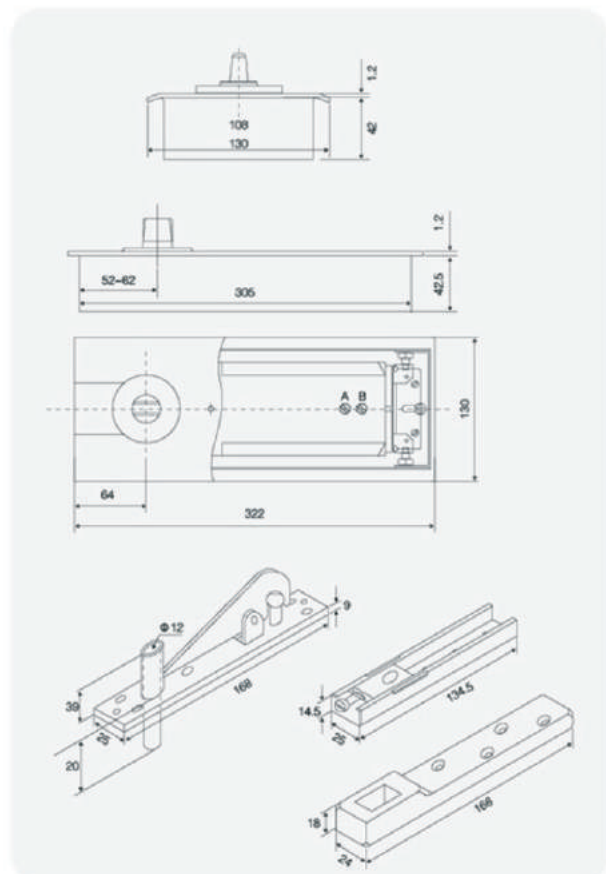
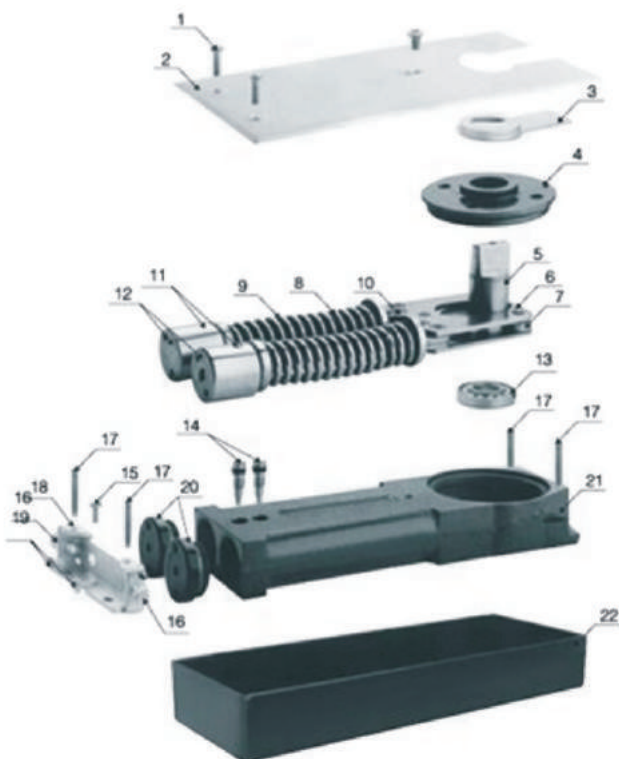
Floor spring hinges

Accessories



Details of floor spring :

- 1) plaque fastening screw
- 2) stainless plaque
- 3) dust proof cover
- 4) bulge axle plaque
- 5) bulge Axle
- 6) supporting plate
- 7) oriented sheave
- 8) spring
- 9) link
- 10) link fastening screw
- 11) piston bolt
- 12) piston
- 13) pressure bearing
- 14) velocity regulating valve
- 15) horizontal regulating valve
- 16) vertical regulating valve
- 17) horizontal regulating valve
- 18) container fastning frame
- 19) rear valve fastening screw
- 20) rear valve
- 21) main body container
- 22) cement contianer





Glass Door Range

Patch Fitting Series



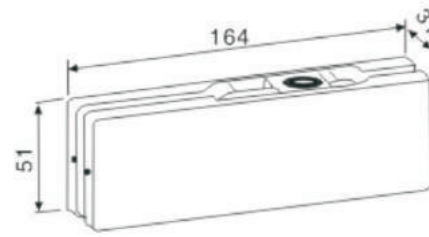
Bottom Patch

It is suitable for 10mm-12mm toughened glass
finish: satin SS



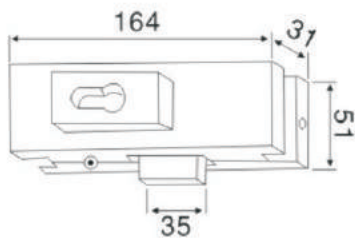
Top Patch

It is suitable for 10mm-12mm toughened glass
finish: satin SS



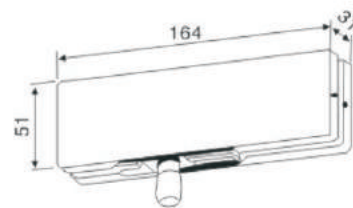
Top Pivot Plate

It is suitable for 10mm-12mm toughened glass
finish: satin SS



Bottom Pivot Plate

It is suitable for 10mm-12mm toughened glass
finish: satin SS



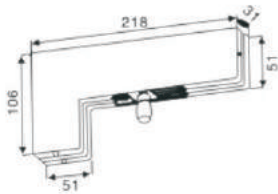
Glass Door Range

Patch Fitting Series



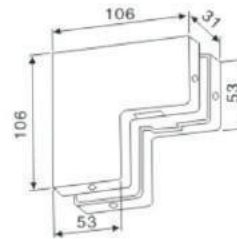
Big L

It is suitable for 10mm-12mm toughened glass
finish: satin SS



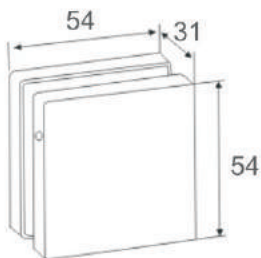
Small L

It is suitable for 10mm-12mm toughened glass
finish: satin SS



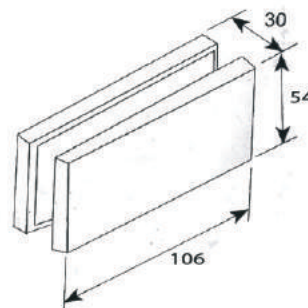
Single Connector

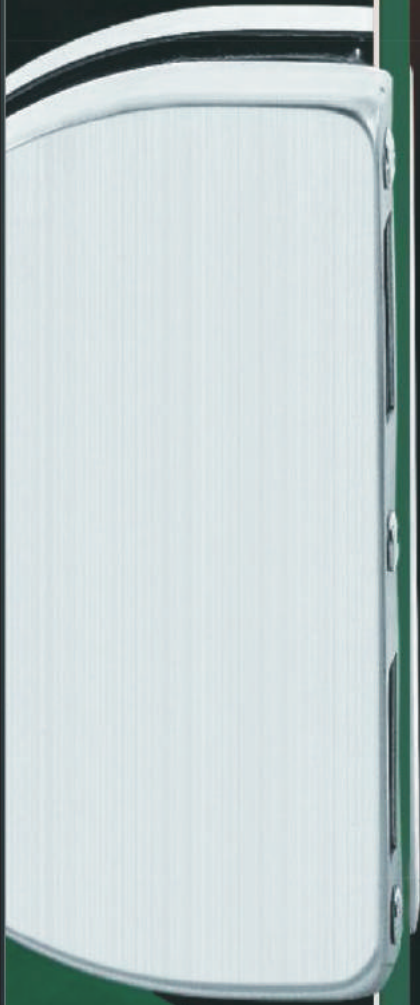
It is suitable for 10mm-12mm toughened glass
finish: satin SS



Double Connector

It is suitable for 10mm-12mm toughened glass
finish: satin SS





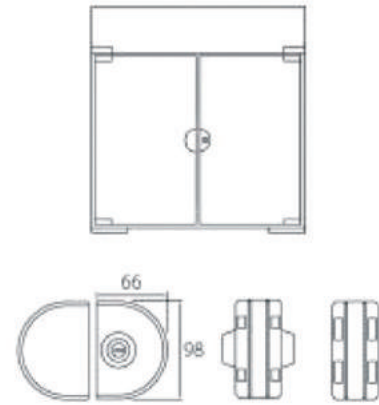
Glass Door Range

Glass Door Lock and handles



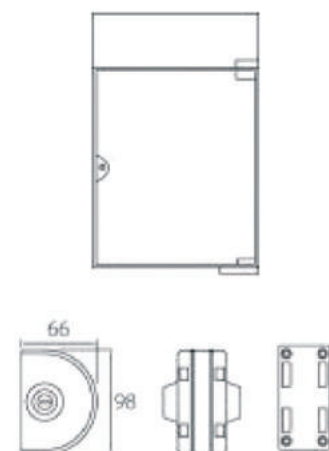
ARDL 01

Materials: Stainless steel
Finish: Mirror, Satin
Glass Door: 10 -12mm
Available For: Toughened Glass



ARDL 02

Materials: Stainless steel
Finish: Mirror, Satin
Glass Door: 10 -12mm
Available For: Toughened Glass



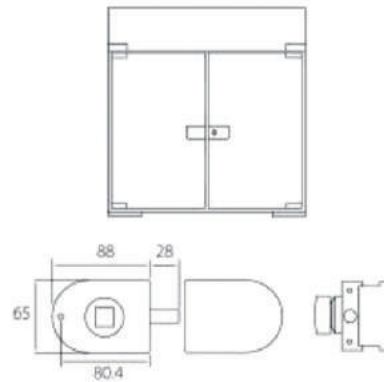
Glass Door Range

Glass Door Lock and handles



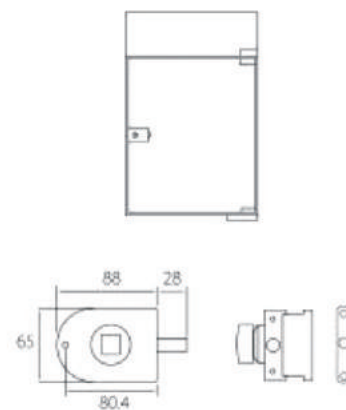
ARDL 03

Materials: Stainless steel
Finish: Mirror, Satin
Glass Door: 10 -12mm
Available For: Toughened Glass



ARDL 04

Materials: Stainless steel
Finish: Mirror, Satin
Glass Door: 10 -12mm
Available For: Toughened Glass



Glass Door Range

Glass Door Lock and handles



No. H

Available sizes:
25x250mm
25x300mm
32x450mm
32x600mm
38x900mm
38x1500mm



No. S

Available sizes:
25x250mm
32x450mm
32x600mm



No. D

Available sizes:
25x250mm
25x300mm
32x450mm
32x600mm



Telescopic channels

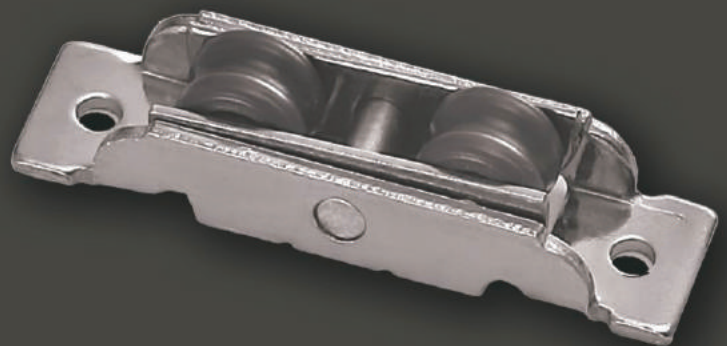
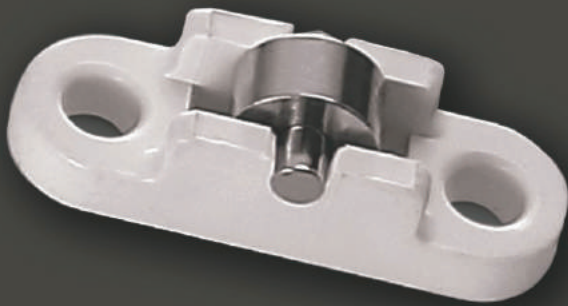


available in : 10 | 12 | 14 | 16 | 18 | 20 | 22 | 24
available in : Zinc and Black
packing : 15pair/box
weight: 75gms/inch

Auto Hinges

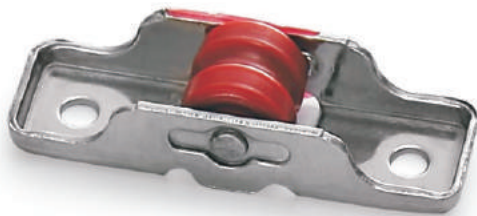


Size : 0, 8, 15 crank
with bush
Packing: 100 Pcs/ Box
Hydraulic Mechanism





ARR 01
Single Roller Nylon Wheel
weight capacity: 45KG



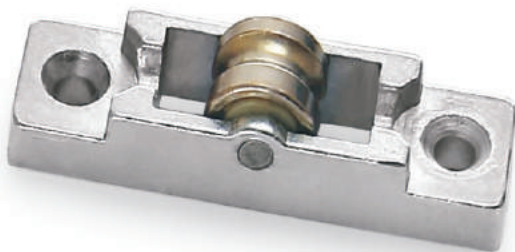
ARR 02
Single Roller Nylon Wheel
with Groove
16 mm
weight capacity: 40KG



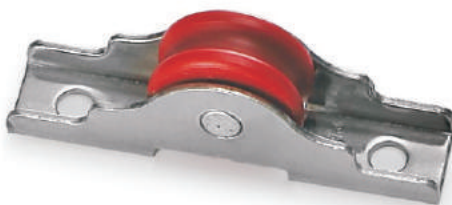
ARR 03
Double Roller Nylon Wheel
weight capacity: 55KG



ARR 04
Double Roller Steel Wheel
Zinc Frame
weight capacity: 55KG



ARR 05
Single Roller Steel Wheel
Zinc Frame
weight capacity: 35KG



ARR 06
Single Bearing Roller
weight capacity: 65KG



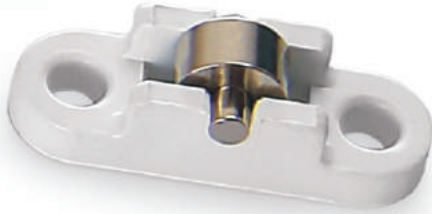
ARR 07
Adjustable Door Roller
Nylon Wheel
weight capacity: 90KG



ARR 08
Adjustable Door Roller
Copper Wheel
weight capacity: 120KG



ARR 09
Adjustable Door Roller
with Four Nylon Wheel
weight capacity: 120KG



ARR 10
Mesh Roller
Copper Wheel
10mm
weight capacity: 8KG



ARR 11
Single Roller Nylon Wheel
with Groove
14 mm
weight capacity: 35KG



ARR 12
Mesh Roller
Copper Wheel
7.5mm
weight capacity: 5KG



Sill

Stile

Rail

Size : 22 | 27 | 35 | 37 mm



Lock Guide
ARA 001



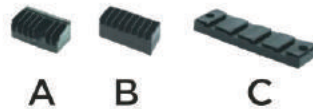
Anti lift Handle
ARA 002



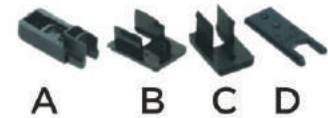
Anti Reitling Guide
ARA 003



Water Slot cover
ARA 004



Anticapillary Pad
ARA 005



Interlock cap
ARA 006



Anti lift lock guide
ARA 007



Shutter wing Connector
ARA 008



Shutter wing Connector
ARA 009



Hole Cap
ARA 010



Corner cleat
ARA 011



Adjustable Roller
ARA 012



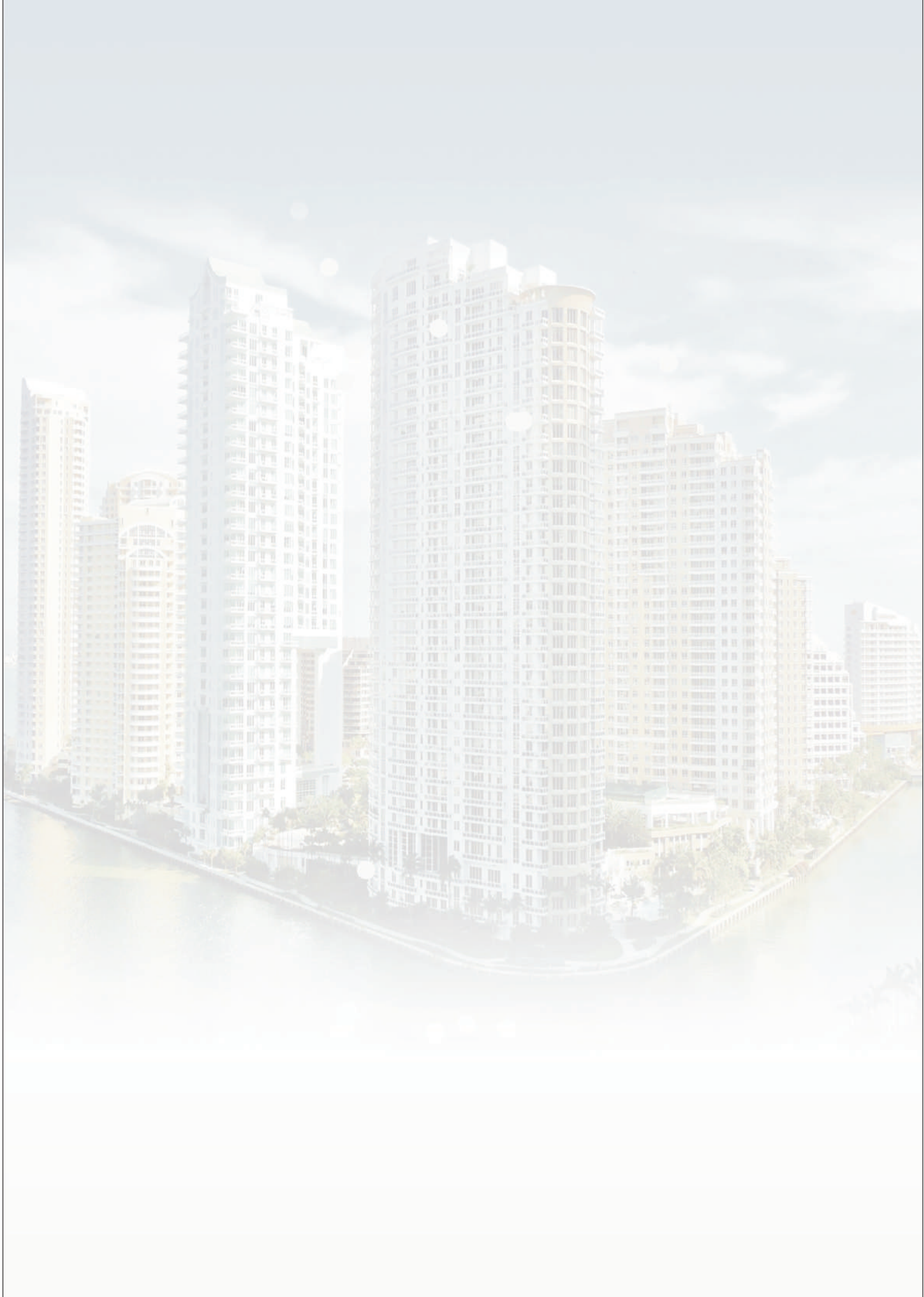
Receiver
ARA 013



Lock Nib
ARA 014



Duck Hook
ARA 015



An ISO 9001 : 2008 Certified Company

